

Appendix A. Drawings

Inch [mm]

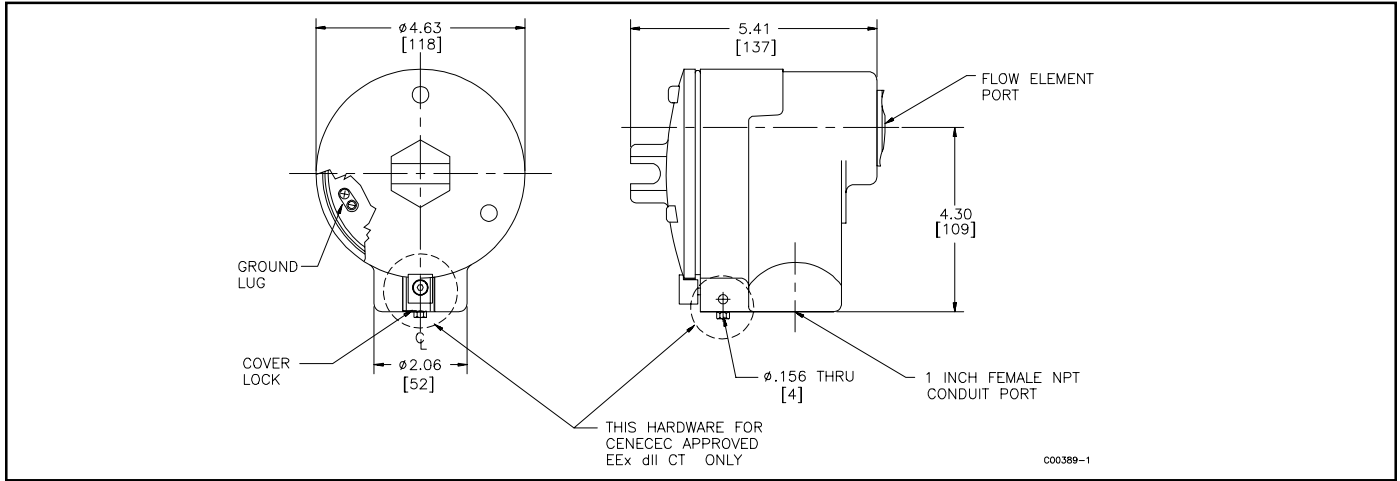


Figure A-1. Local Enclosure, NEMA Type 4X and Hazardous Location (Aluminum Enclosure Shown)

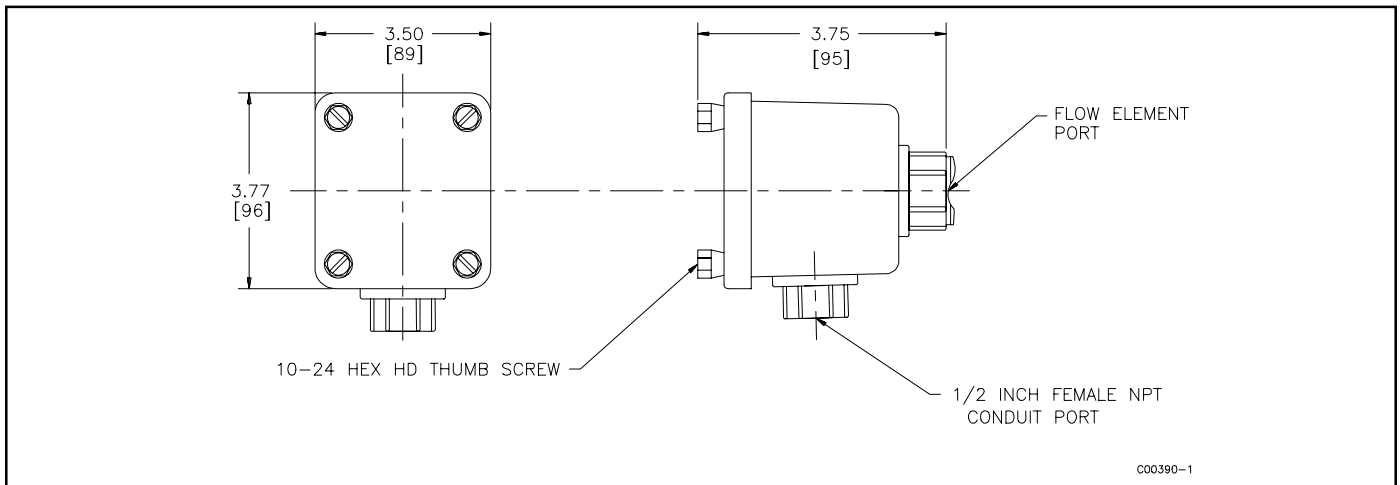


Figure A-2. Local Enclosure NEMA Type 4X (Fiberglass Shown)

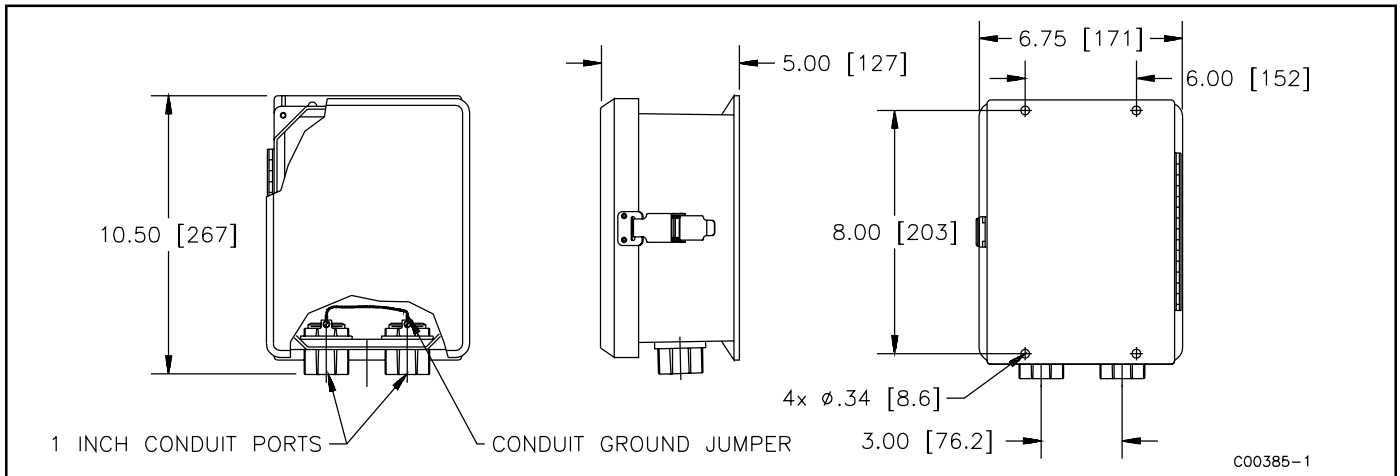


Figure A-3. Remote Enclosure NEMA Type 4X

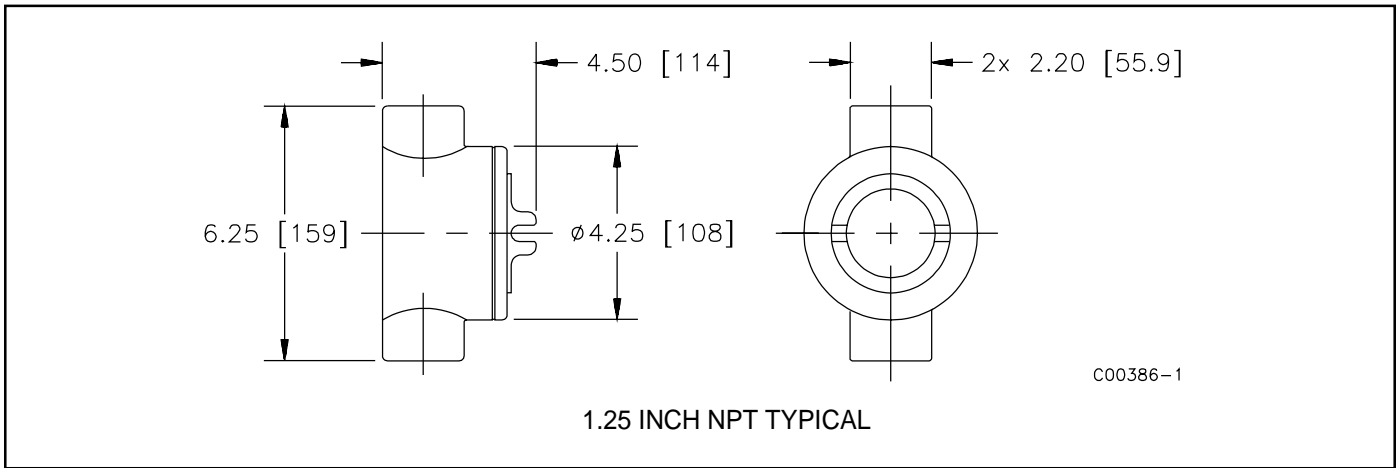


Figure A-4. Remote Enclosure, Feralloy, NEMA Type 4 and Hazardous Location

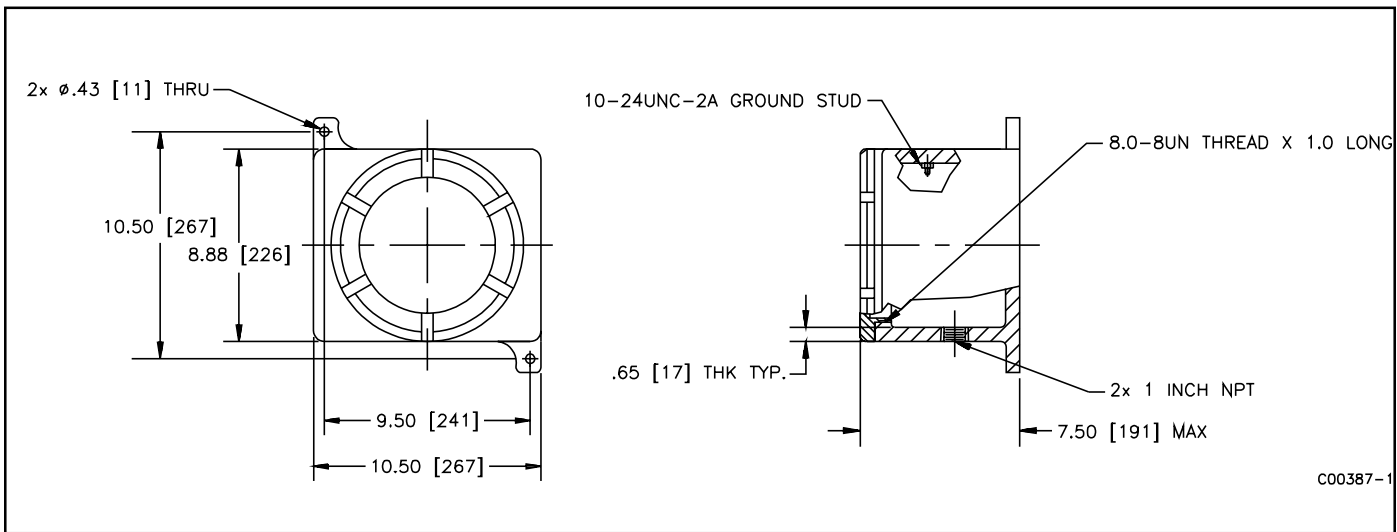


Figure A-5. Remote Enclosure, Killark, NEMA Type 4 and Hazardous Location

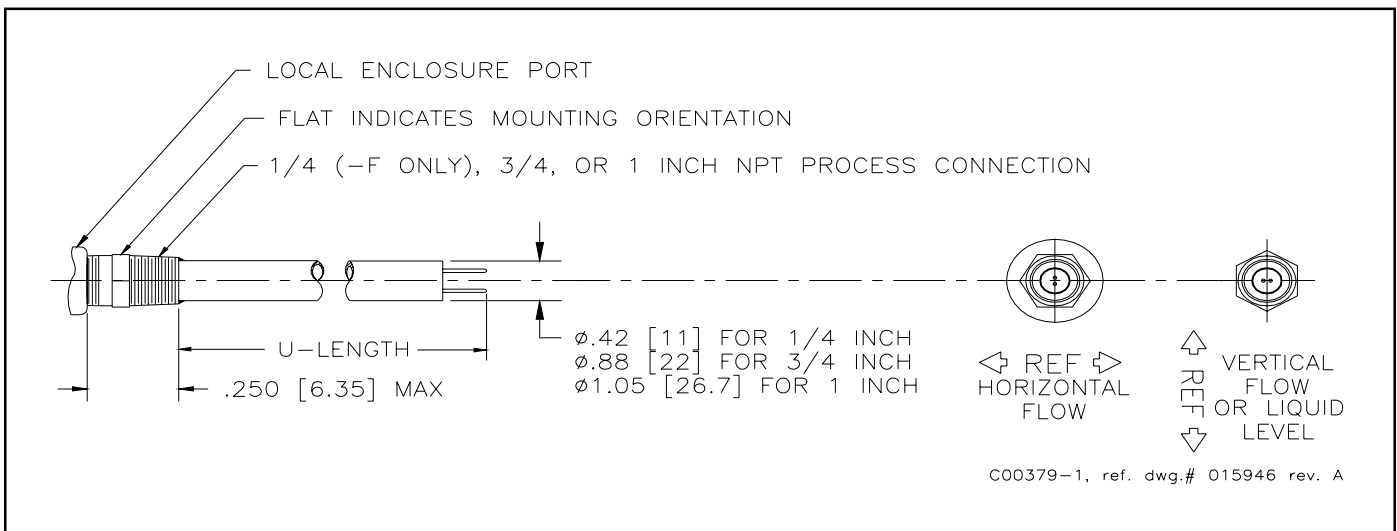


Figure A-6. 1/4 (FLT-F Only), 3/4 or 1 Inch NPT Process Connection

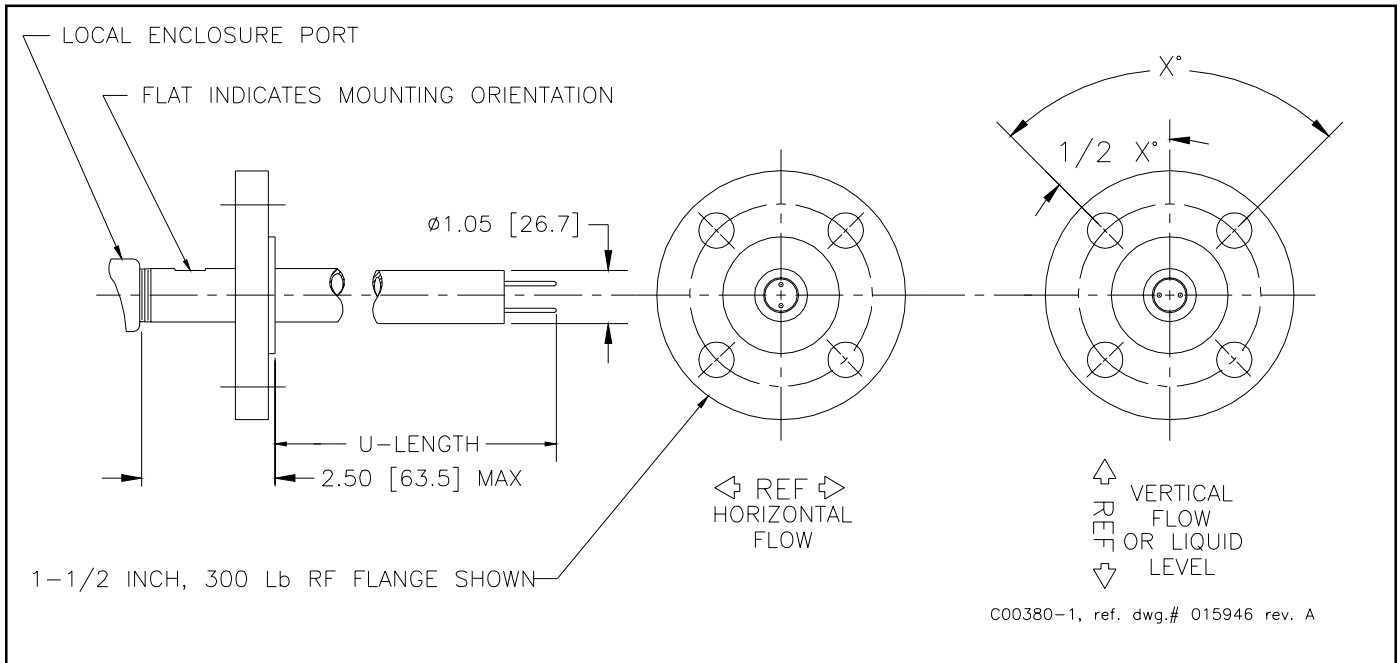


Figure A-7. Flanged Process Connection

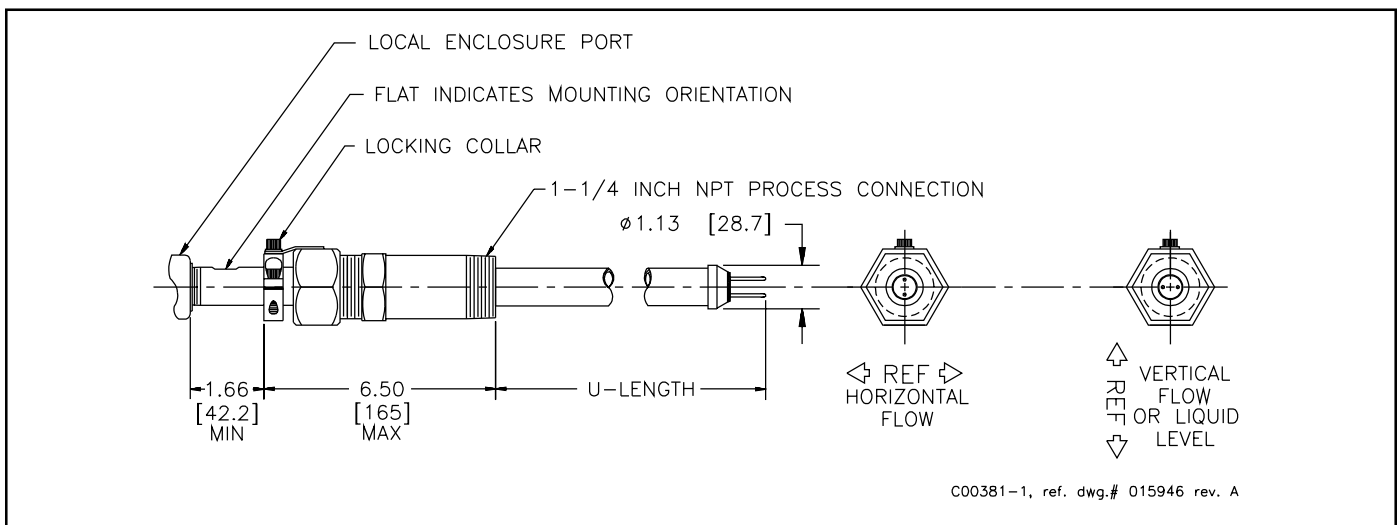


Figure A-8. Low Pressure Packing Gland

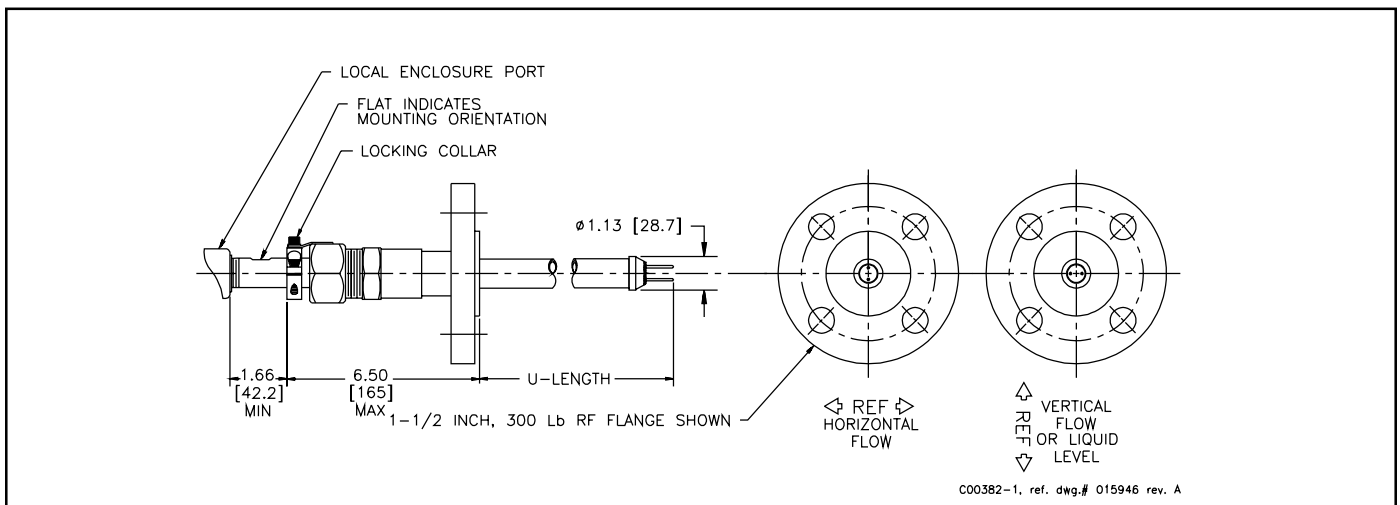


Figure A-9. Flanged Low Pressure Packing Gland Process Connection

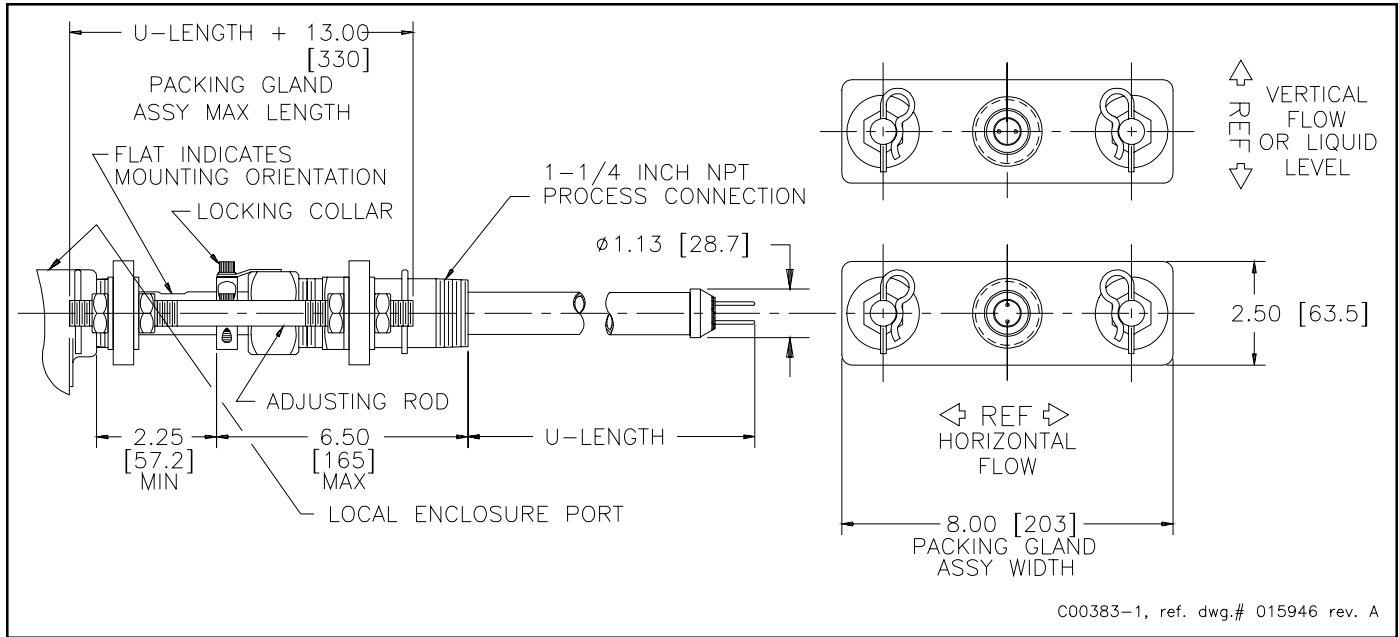


Figure A-10. 1-1/4 Inch Medium Pressure Packing Gland Connection

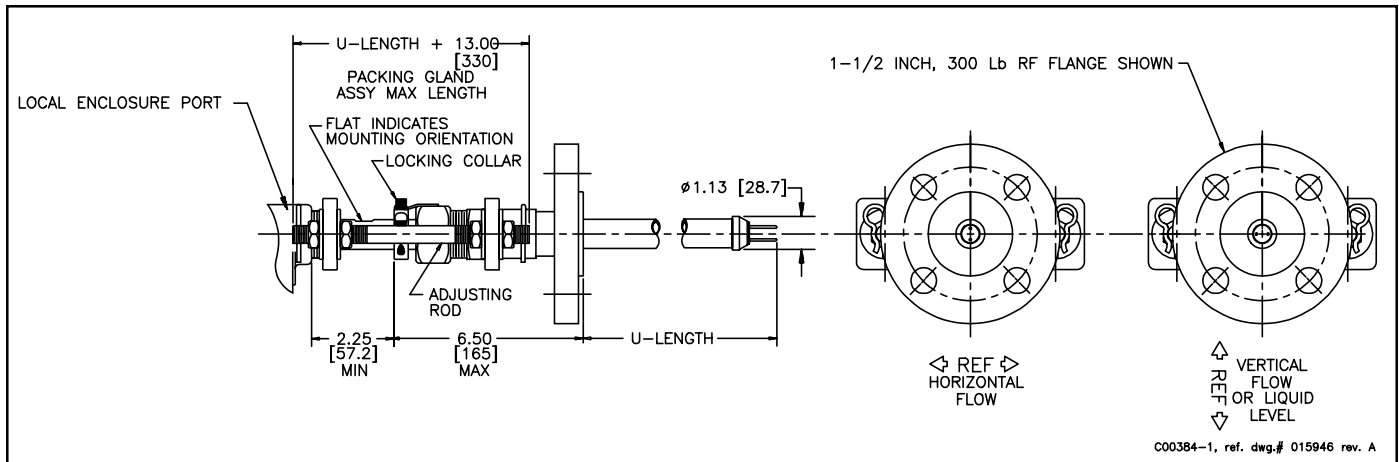


Figure A-11. Flanged Medium Pressure Packing Gland Process Connection

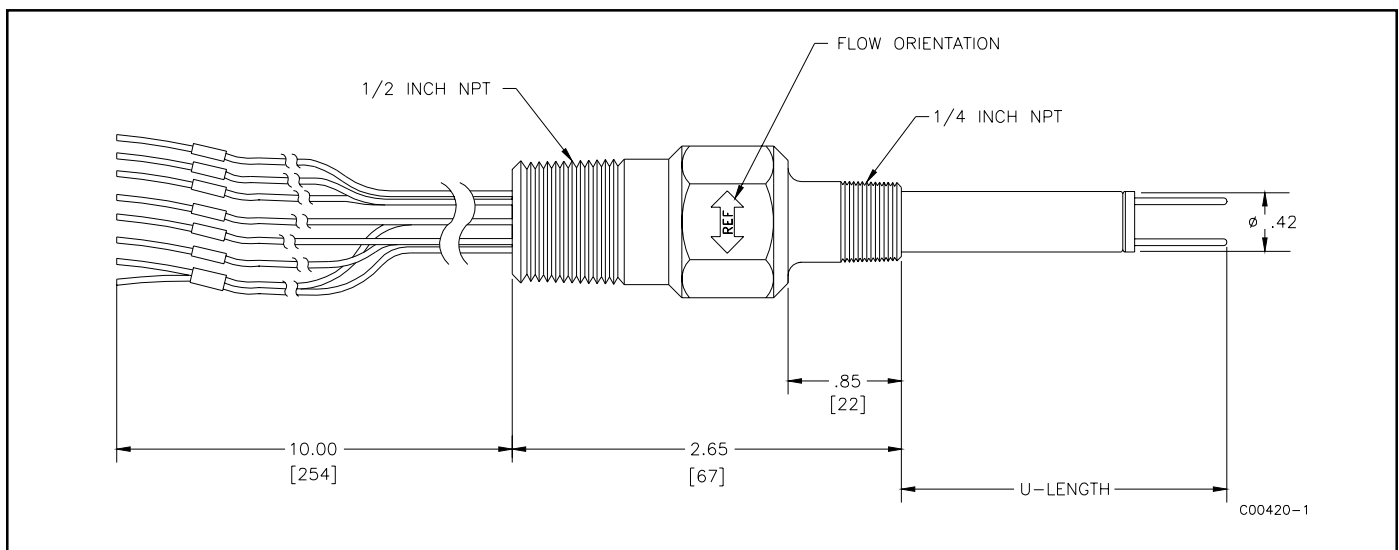


Figure A-12. 1/4 Inch Process Connection

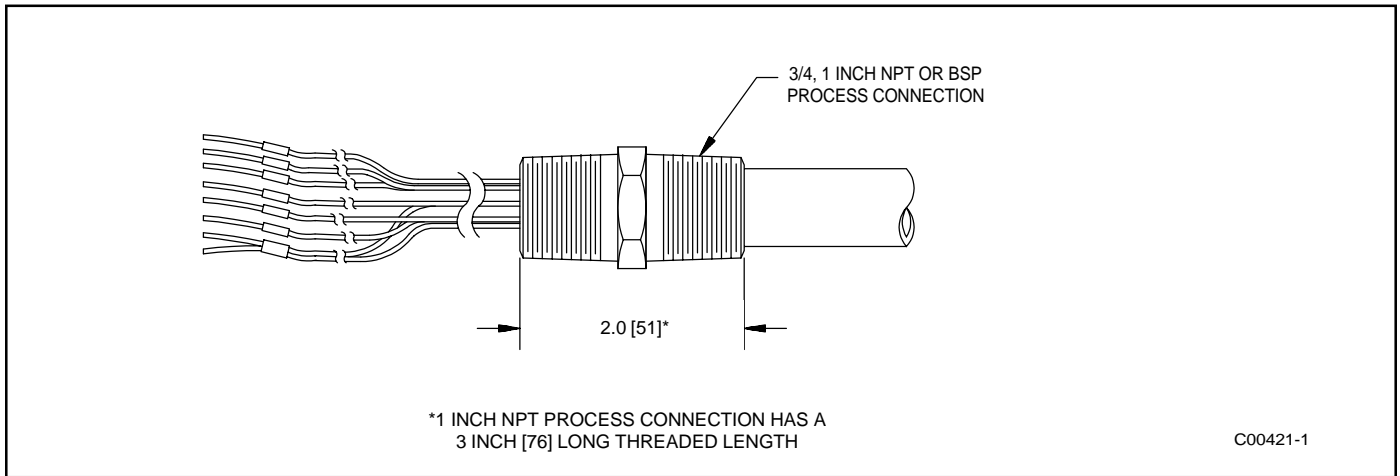


Figure A-13. Wire Pigtail Process Connection

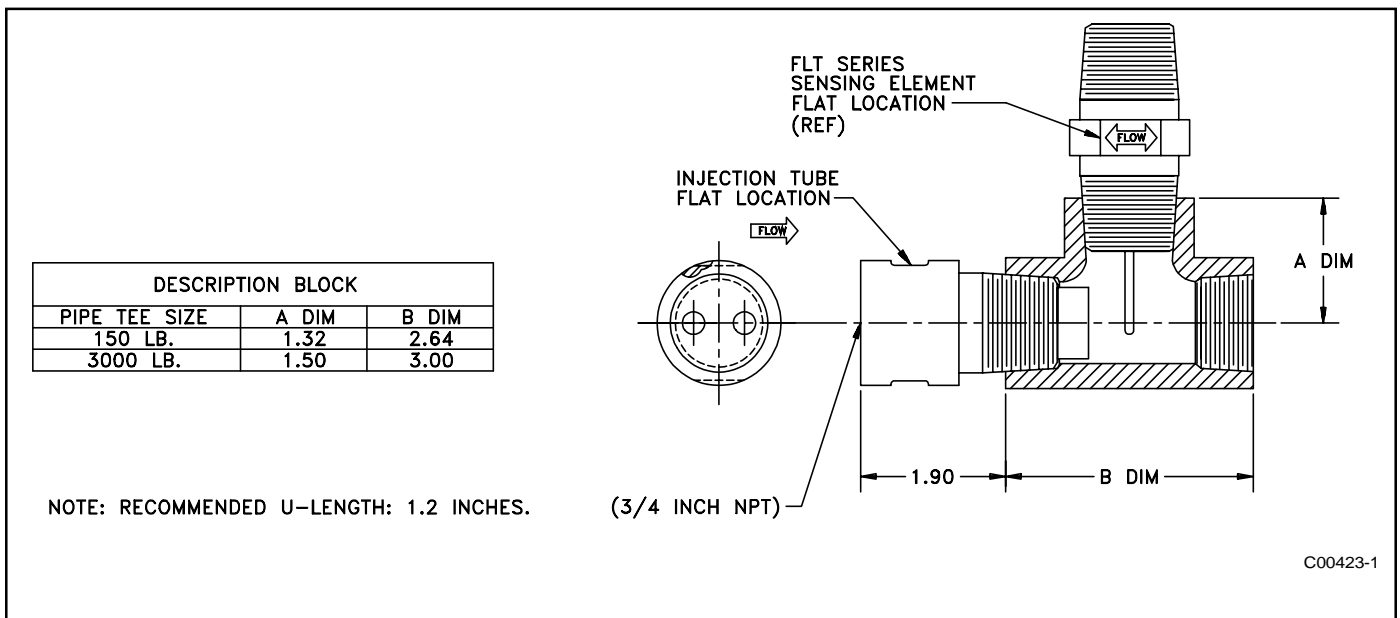


Figure A-14. Injection Tube with Tee Fitting

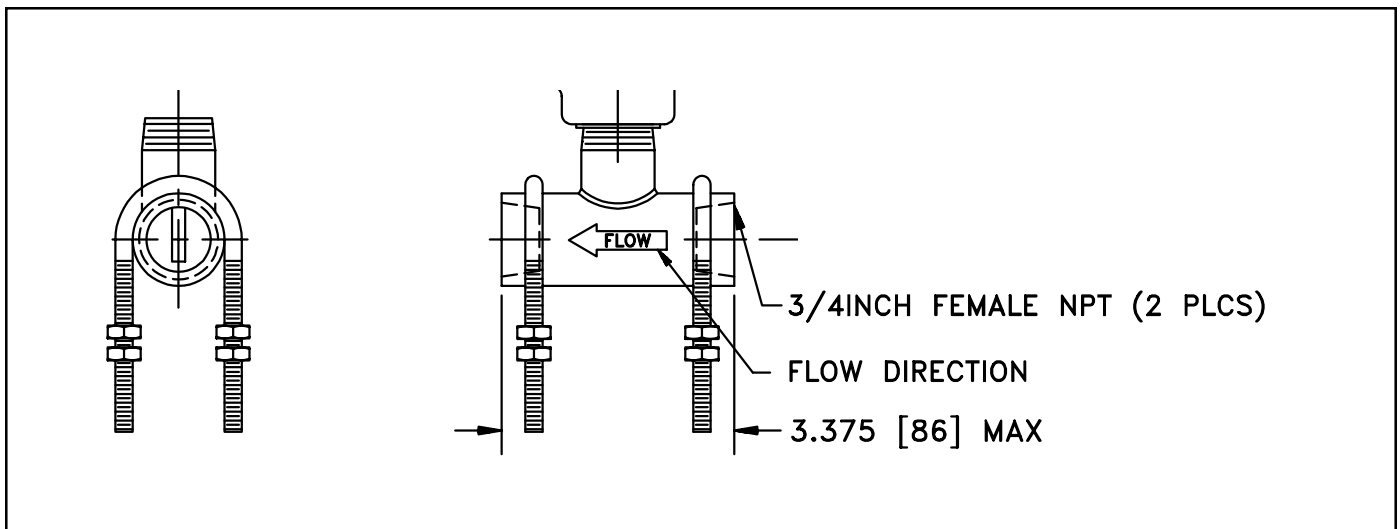


Figure A-15. 3/4 Inch Female NPT FLT93-L With U-Bolt Bracket Kit

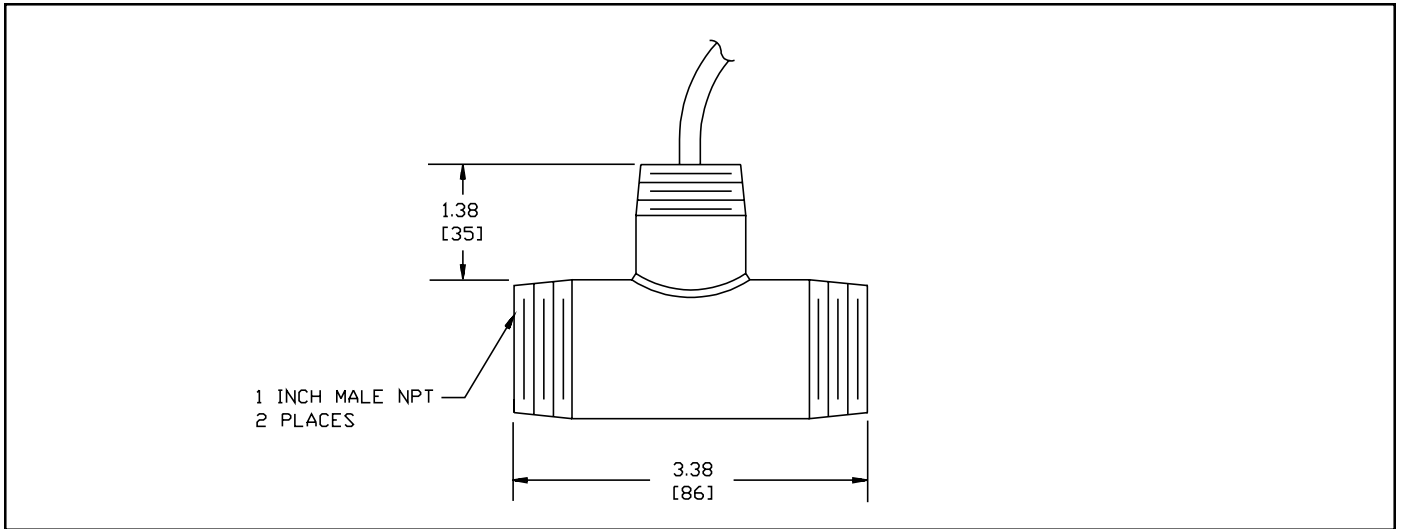


Figure A-16. 1 Inch NPT FLT93-L

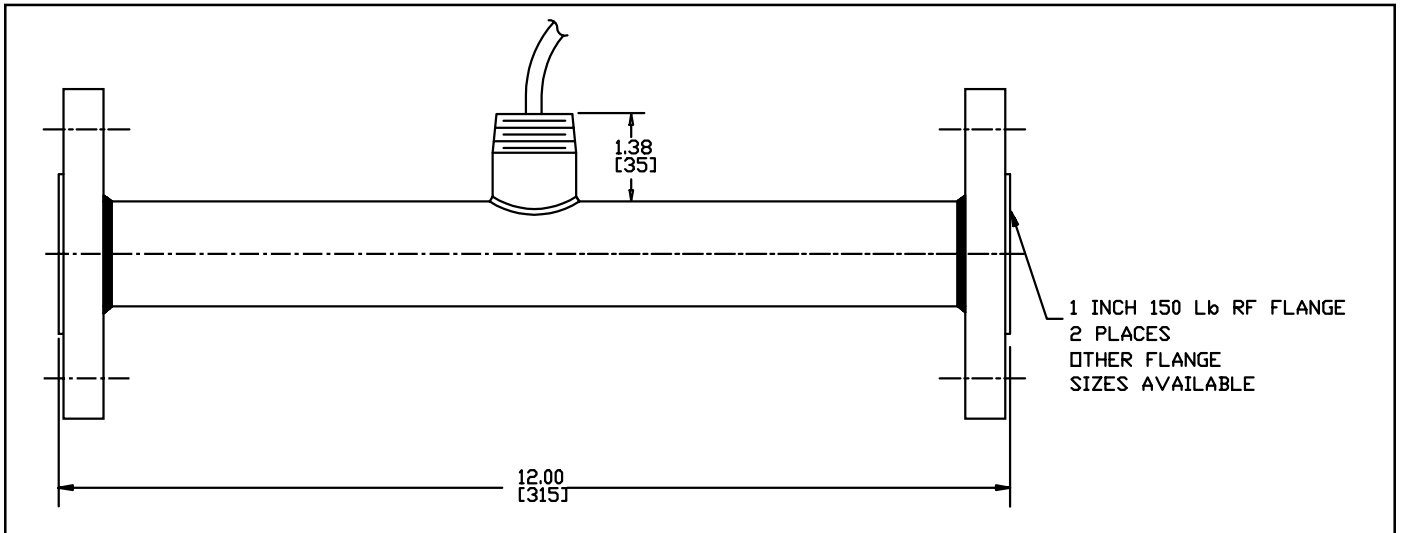


Figure A-17. 1 Inch RF Flanged FLT93-L

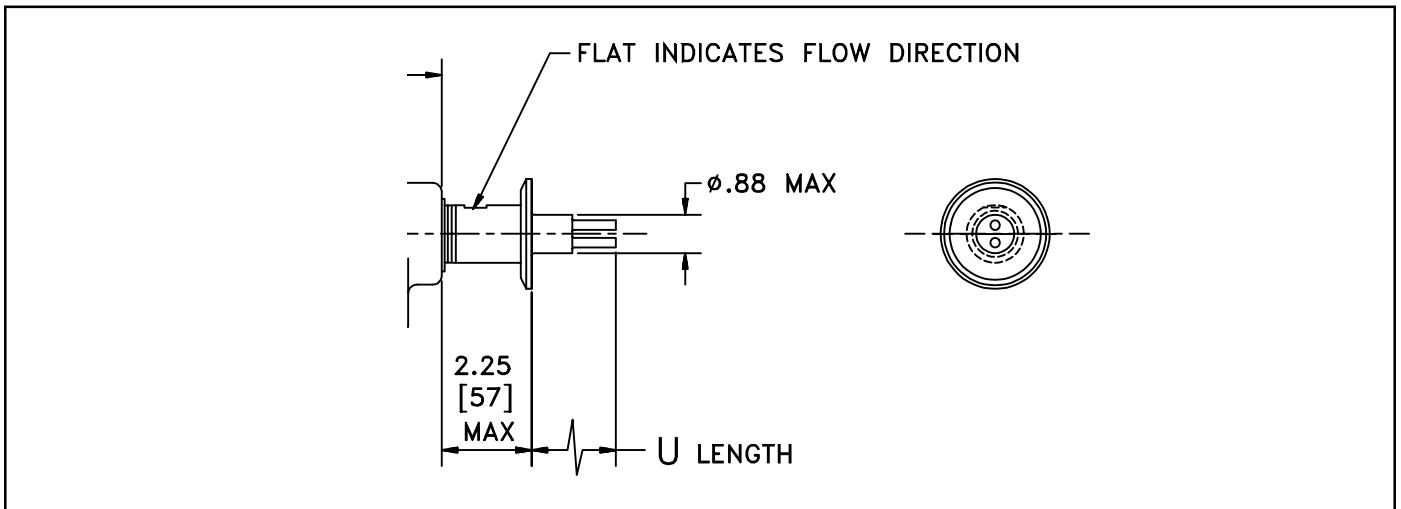


Figure A-18. FLT93-C Sanitary Removable Clamp (RC) Instrument

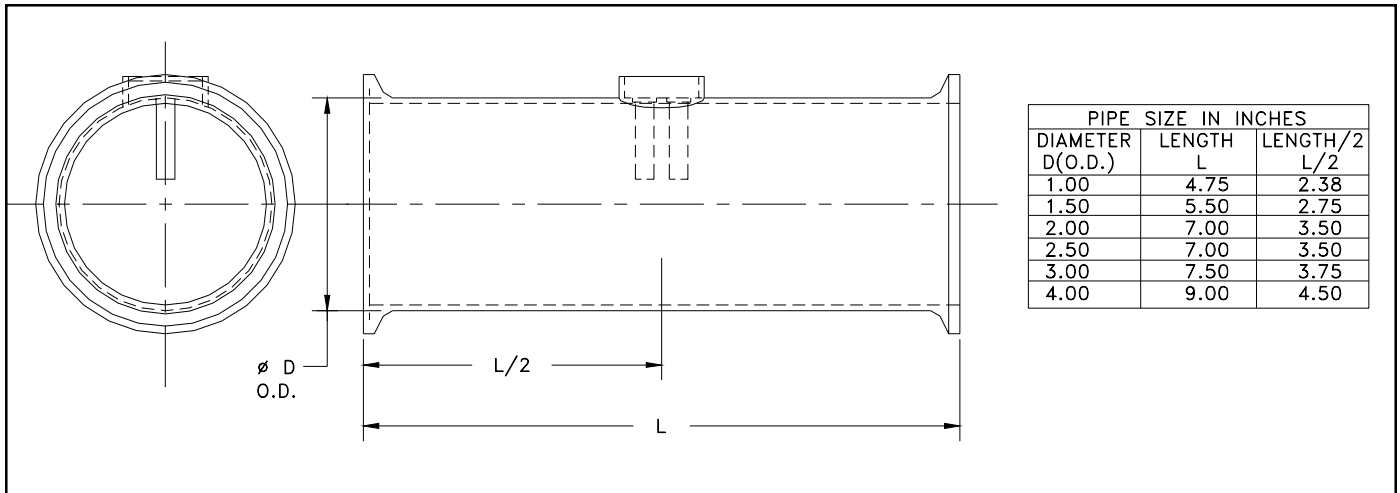


Figure A-19. FLT93-C Sanitary Clean-In-Place (CIP) Instrument

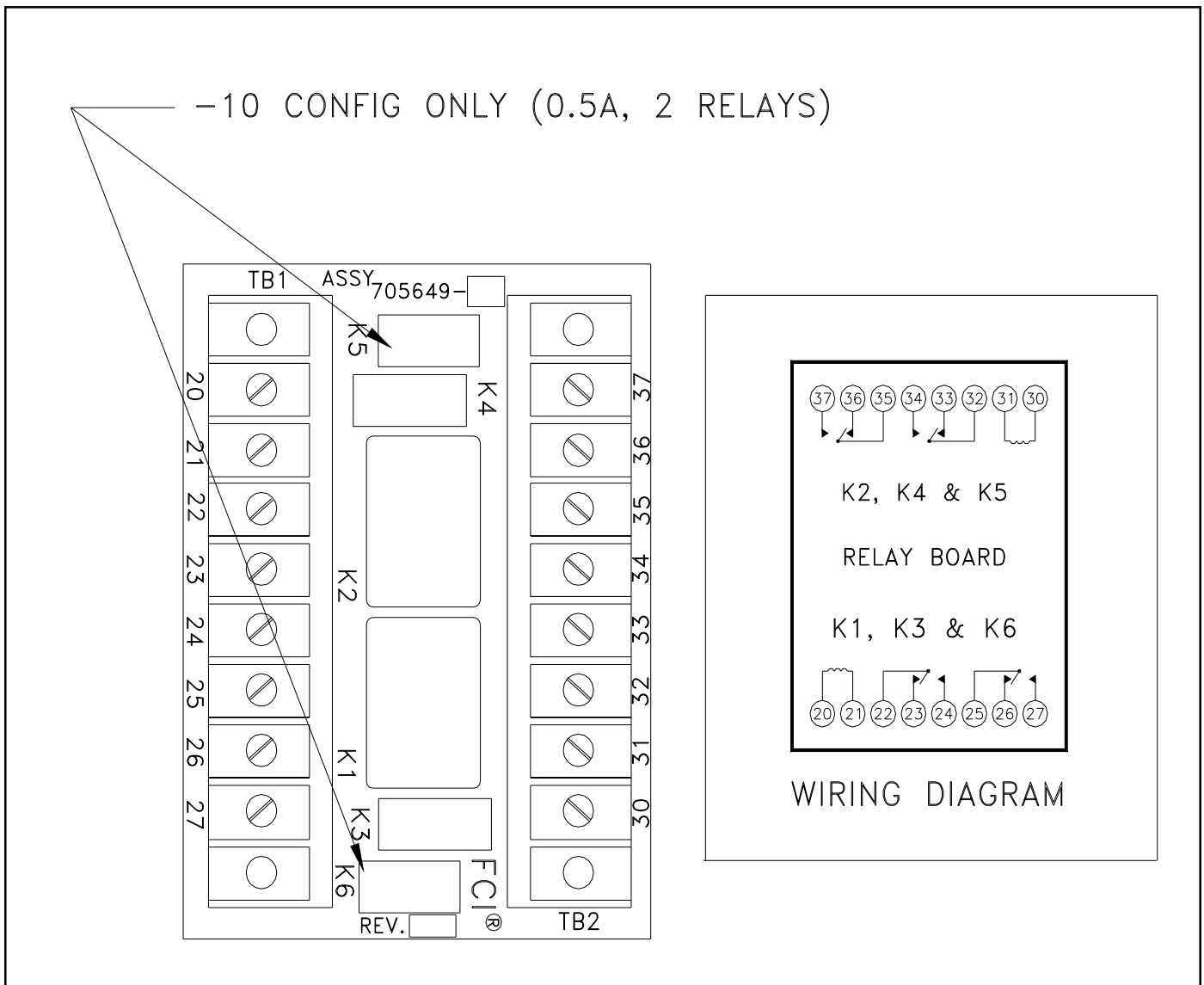
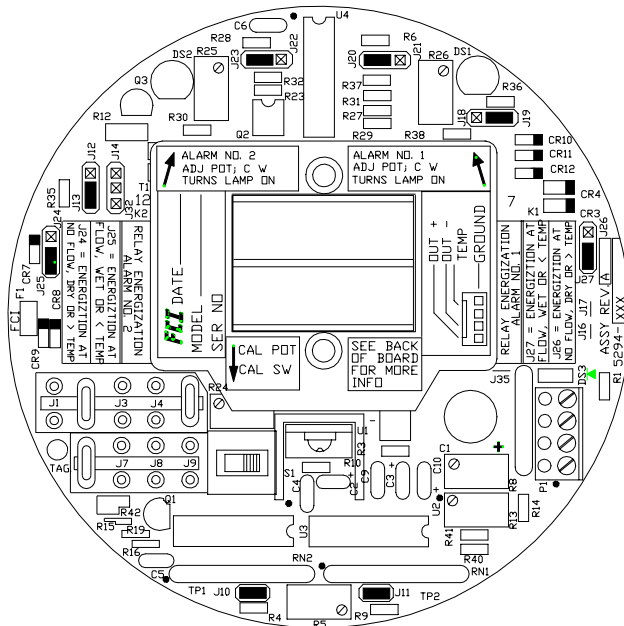


Figure A-20. FLT93 Auxiliary Relay



1 FIGURE 1
COMPONENT SIDE

5294

PART NUMBER	INPUT POWER CONFIGURATION BLOCK ³	DES
015905-01	STD: NORMAL LINE A.C. 120 VAC, 240 VAC, 24 VDC, 24 VAC	A
015906-01	LOW LINE A.C. 100 VAC, 200 VAC, 24 VDC, 24 VAC	B

PART NUMBER	RELAY CONTACT RATING CONFIGURATION BLOCK ⁵	DES
015334-01	STD: 6 AMP AT 120 VAC EPOXY SEALED	1
015336-01	EXTERNAL RELAYS 18 VDC SIGNAL OUTPUT ⁴	2

MODEL	PART NUMBER	HEATER WATTAGE CONTROL	DES
-S ELEMENT	015920-01	VARIABLE	A
	015921-01	FIXED (171°F DELTA T MAX)	B
-F ELEMENT	015922-01	VARIABLE	C
	015923-01	FIXED (171°F DELTA T MAX)	D

- ⁵ RELAYS ARE RATED FOR RESISTIVE LOADS ONLY.
- ⁴ FOR USE WITH A SEPARATELY MOUNTED RELAY ASSEMBLY (P/N 705649). THE CONTROL CIRCUIT PROVIDES A SWITCHING VOLTAGE AT TERMINALS 3 AND 4 FOR ALARM NO. 1 AND 5 AND 6 FOR ALARM NO. 2.
- ³ SUB ASSEMBLY 015814-01 INCLUDED AS PART OF THIS OPTION.
- 2 ALL PLUGGABLE JUMPERS ARE SHOWN IN THE DEFAULT POSITIONS. DEFAULT SETTINGS ARE AS FOLLOWS:
 INPUT POWER = 240 VAC (J2, J5, J6).
 HEATER WATTAGE CONTROL = 0.75 WATTS (J13) FOR THE FLT-S ELEMENT;
 0.25 WATTS (J14) FOR THE F.R. ELEMENT.
 ALARM NO. 1 SET TO MONITOR FLOW OR LEVEL SIGNAL (J20)
 ALARM NO. 2 SET TO MONITOR TEMPERATURE SIGNAL (J19)
 ALARM NO. 1 RELAY ENERGIZED AT FLOW OR WET (J27)
 ALARM NO. 2 RELAY ENERGIZED AT BELOW TEMPERATURE (J25)
 ALARM QUANTITY JUMPER SET FOR 2 EA (J23)
- ¹ SEE FIGURE ONE FOR CLARIFICATION OF THE REFERENCE DESIGNATOR LOCATIONS OF THE SUBLEVEL PARTS LISTS.

Figure A-21. FLT93 PWB Module